

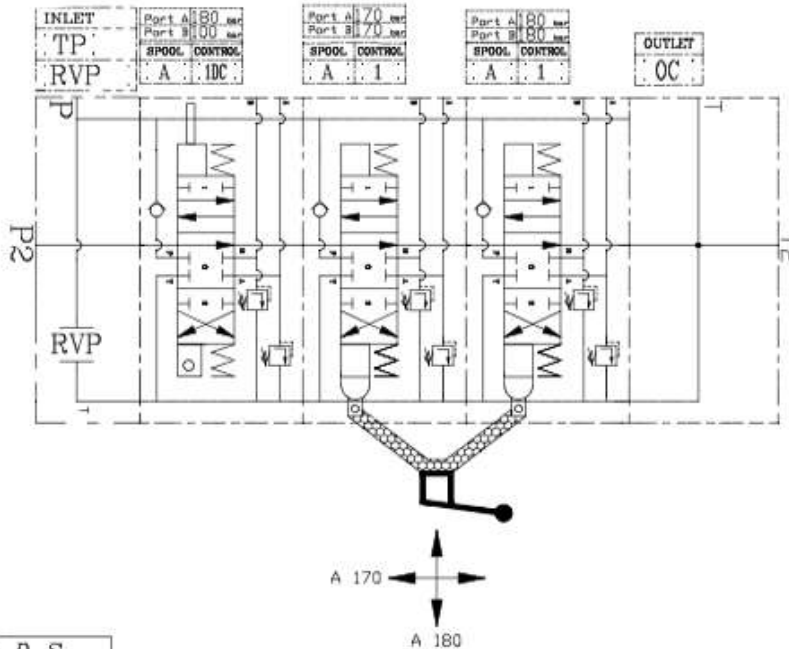
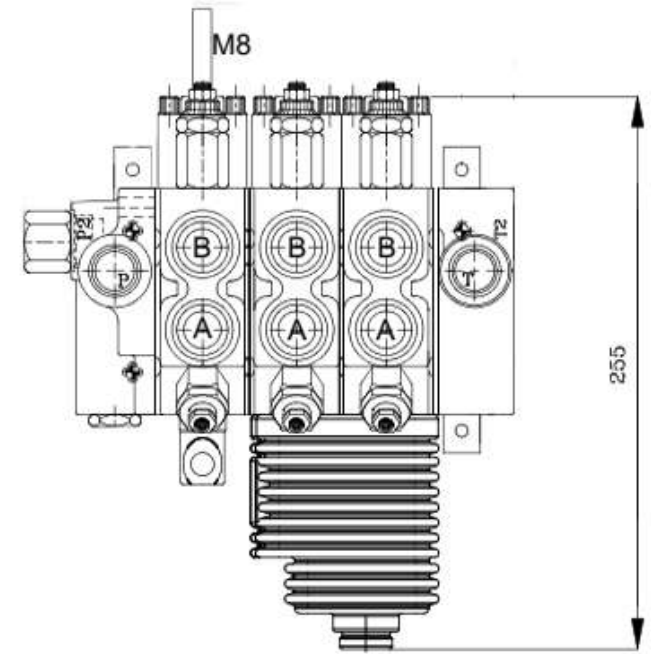
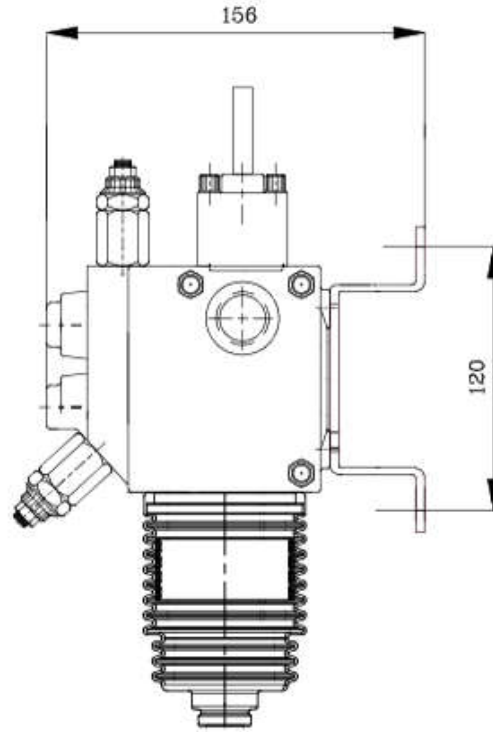
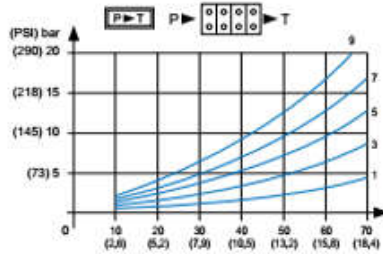
TECHNICAL CHARACTERISTICS BC60

TECHNICAL CHARACTERISTICS		
NOMINAL FLOW	70 l/min	18.4 GPM
MAX FLOW	85 l/min	22.4 GPM
NOMINAL PRESSURE	300 bar	3600 PSI
MAX PRESSURE ON PORTS	320 bar	4700 PSI
MAX PRESSURE ON TANK-LINE	15 bar	220 PSI
MAX SERVO PRESSURE SETTING	30 bar	440 PSI

INTERNAL OIL LEAKAGE	
From A B to T	4 + 8 cc/min

TESTING CONDITIONS	
Pressure	100 bar
Oil temperature	40 °C
Oil viscosity	32 mm ² /s

Characteristic Pressure Drop



Qty	Name	Code-No.	Source
1	BC60 TE TP GRVP	805256	BLB Srl
1	BC60 TU G 1/2"	805237	BLB Srl
1	KIT TIE RODS	560791	BLB Srl
1	BC60V G/MO A1VLB/	809235	BLB Srl
1	KIT BRACKETS	560893	BLB Srl
1	BC60V G/ A1DC VLAB/	809304	BLB Srl
2	BC60V G/W A1VLAB/	809233	BLB Srl
1	JS(1) BC60	801291	BLB Srl
1	KIT RACC. TP BC60	832179	BLB Srl

CODE-No.: 950483



Blb Hydraulic Srl
 36040 BRENDOLA
 (Vicenza) Via Natta,1
 Tel: (39)444-401141
 Fax: (39)444-401086

DATE:
 10/11/2014
 DRAWN:
 CA