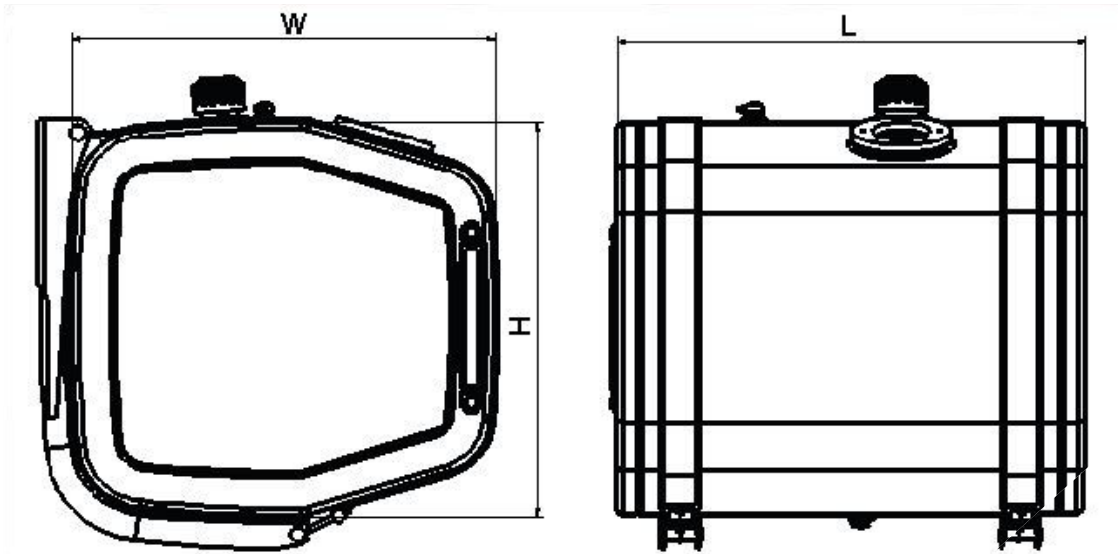


ALUMINUM AND STEEL



CONICAL OIL TANKS



	Height	Width	Length	Liter	Unit price (€)
	590	630	700	220	
	590	630	800	253	
	590	630	900	285	
	590	630	950	300	