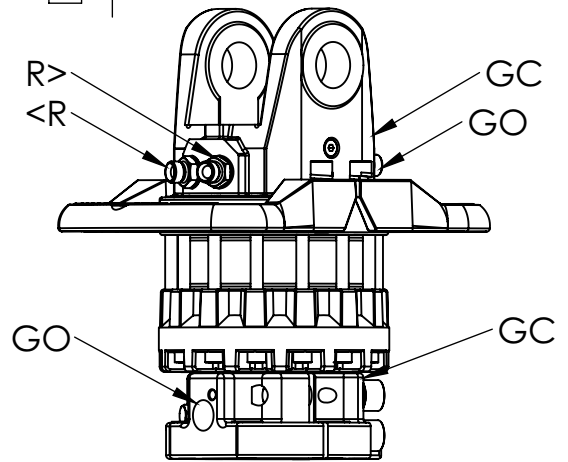
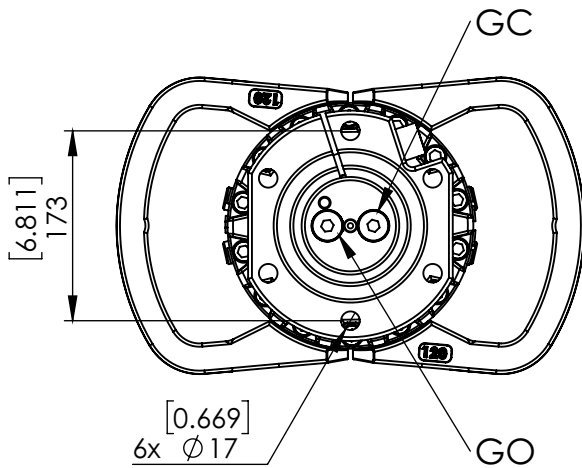
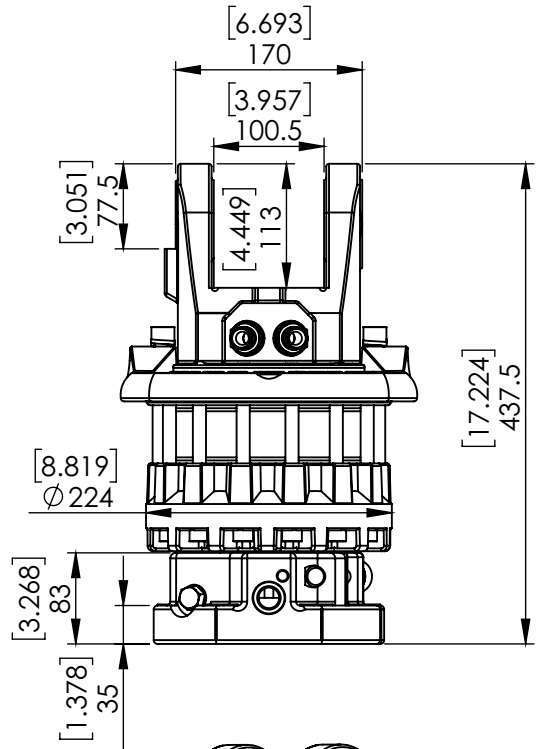
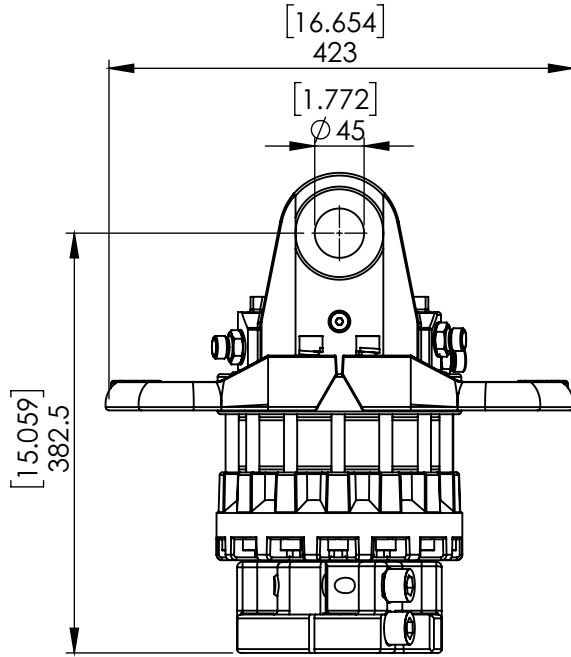


71200 CRH 1200-X45F173



ROTATION ANGLE

UNLIMITED

MAX PRESSURE (R) [BAR/PSI]

250 3626

MAX PRESSURE (GO) [BAR/PSI]

300 4351

MAX PRESSURE (GC) [BAR/PSI]

300 4351

DISPLACEMENT [cm³/Inch³]

949 58

TORQUE [Nm/lbf-ft]

2900 2138

MAX AXIAL LOAD STATIC [KN/lbf]

120 26977

MAX AXIAL LOAD DYNAMIC [KN/lbf]

60 13489

MAX AXIAL NEGATIVE LOAD STATIC [KN/lbf]

90 20233

MAX AXIAL NEGATIVE LOAD DYNAMIC [KN/lbf]

45 10116

WEIGHT [kg/lb]

79 174

CONNECTIONS

G1/2" G1/2"

MAXIMUM OIL FLOW [LPM/GPM]

25 6.6