

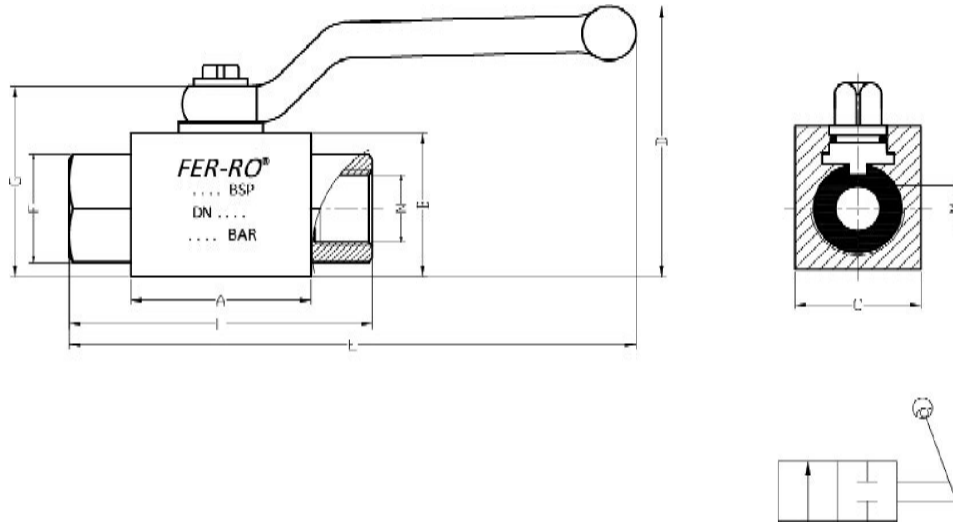
BV2 SERIES HYDRAULIC 2-WAY BALL VALVES

BV2 Series Hydraulic 2-Way Ball Valves are used to either shut-off or open of flow passage and their easy operation provides unrestricted flow. Due to their volumetric structure they work rapidly and efficiently, and prevent cavitation.

BV2 Series Ball Valves can be locked in the open or closed position through locking washer on the circle pin. Internal ball is hard chrome coated steel and delrin (POM) seated.

Ball Valves are suitable for LPG, CNG and other gas applications, as well as hydraulic and other industrial fluids.

Body Material	Carbon steel
Ball Material	Hard chrome coated carbon steel.
Thread Size	BSP, NPT
Ball Seats	Delrin (POM)
Sealing	Nitrile O-ring (NBR)
Working Temperature	-30 °C and +110 °C
Plating	Zinc Plating (Cr III Passivation)
Upon Request	VITON
Applications	Excavators, plastic injection mould machines, chemical processing plants, cranes, tankers, dump trucks and general hydraulic applications



Technical Specifications

Kod (Code)	Vida Ölçüsü (Thread Size) N	Çalışma Basıncı (Working Pressure) Bar	Ölçüler - mm (Dimensions) - mm									
			A	B	C	D	E	F	G	L	M	
BV2G14N	1/4" BSP	500	45	35	30	77	142	24	48	75	DN10	
BV2G38N	3/8" BSP	500	45	35	30	77	142	24	48	75	DN10	
BV2G12N	1/2" BSP	500	50	40	35	82	147	30	53,50	84	DN13	
BV2G34N	3/4" BSP	400	60	55	45	111	221	38	73	96	DN20	
BV2G1N	1" BSP	400	70	60	55	116	235	46	78	118	DN25	
BV2G114N	1 1/4" BSP	380	70	60	55	116	235	50	78	134	DN25	
BV2G112N	1 1/2" BSP	380	70	60	55	116	235	55	78	140	DN25	

Working pressures of ball valves for high temperature with viton sealing and teflon are 35% lower than pressures above

For 2-Way Ball Valve Series flange connection models are also available in stock.

