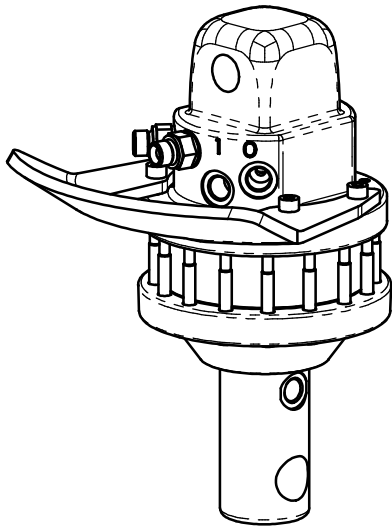
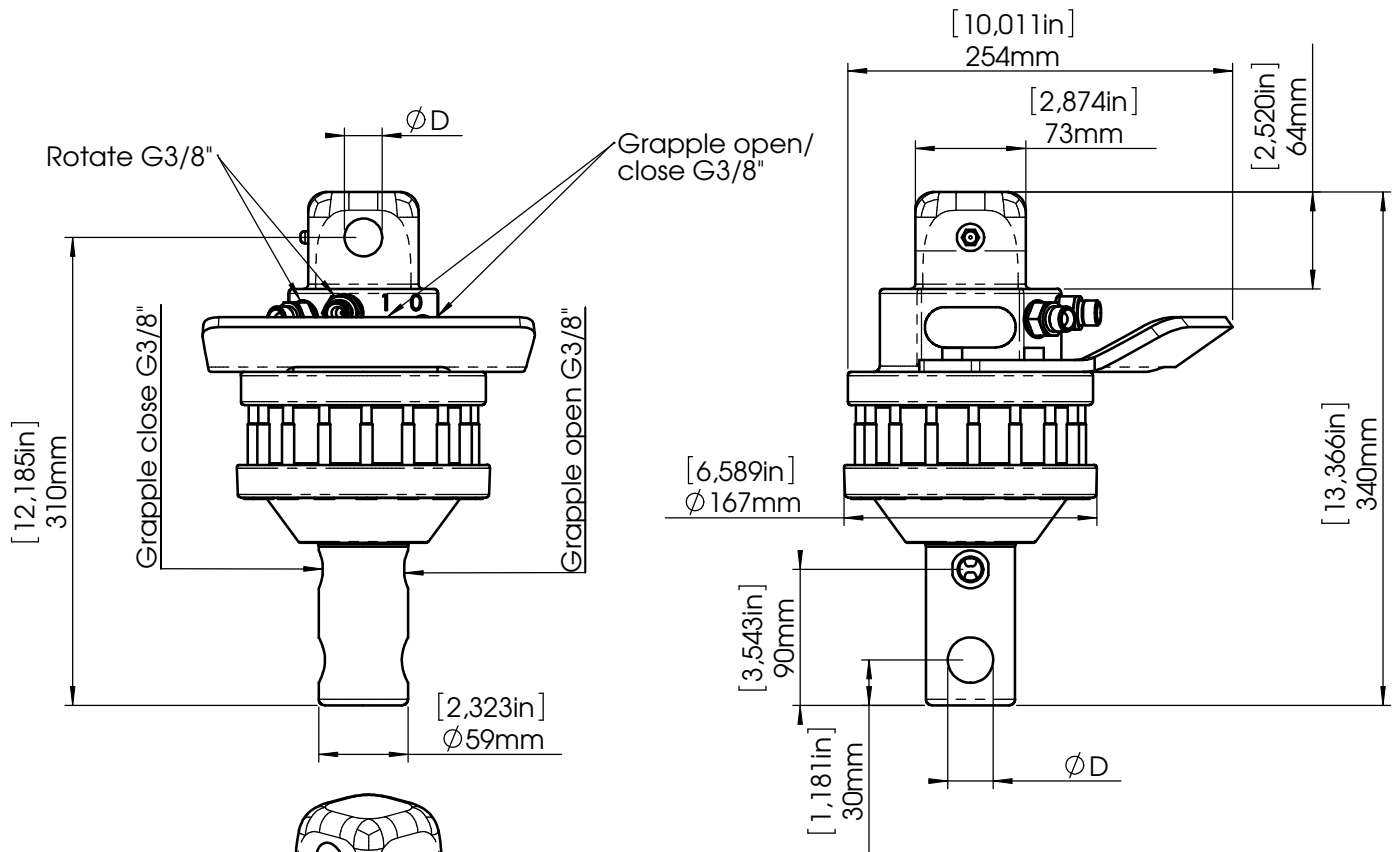
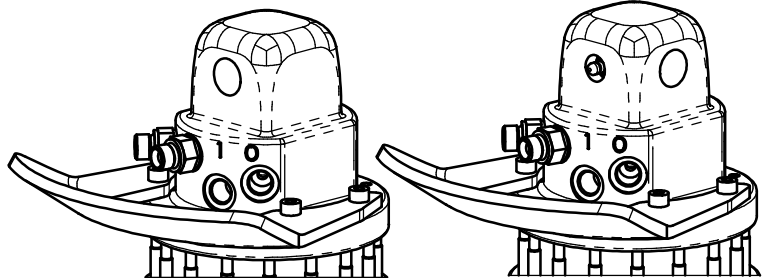


Rotator FR 10 A



Direction W

Direction X



FR 10 A	
Rotation angle	Unlimited
Max. working pressure	200 bar
Displacement	420 cm ³
Torque (200 bar)	1000 Nm
Max. axial force	60 kN
Safe working load	4000 kg
Weight	20 kg

Basic models				
Item	Name	Direction	D1	D2
11020	FR 10-X25A25	X	25	25
11022	FR 10-W25A25	W	25	25
11025	FR 10-X25A30	X	25	30
11027	FR 10-W25A30	W	25	30
11037	FR 10-W26A26	W	26	26
11039	FR 10-X30A30	X	30	30
11040	FR 10-W30A30	W	30	30
11041	FR 10-W26A30	W	26	30