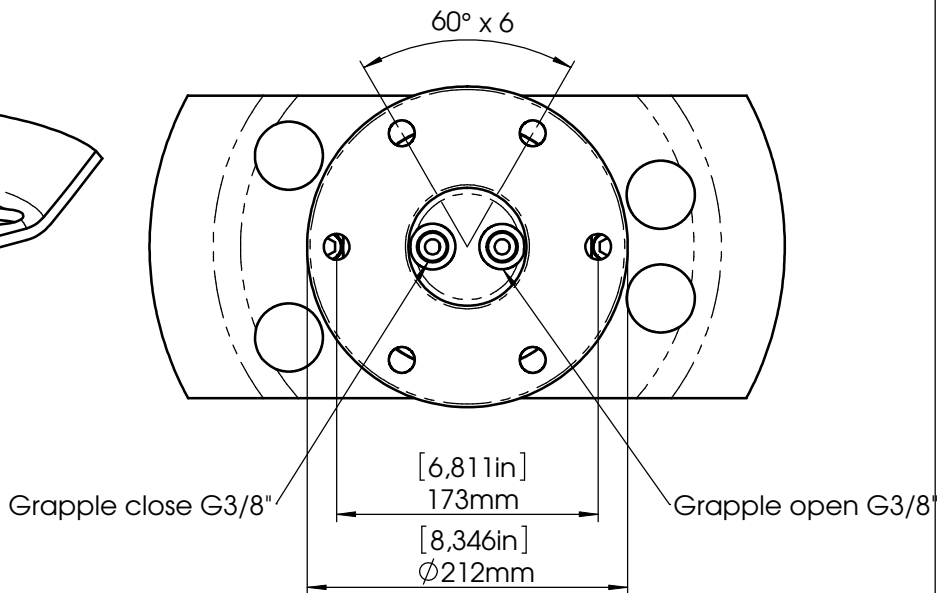
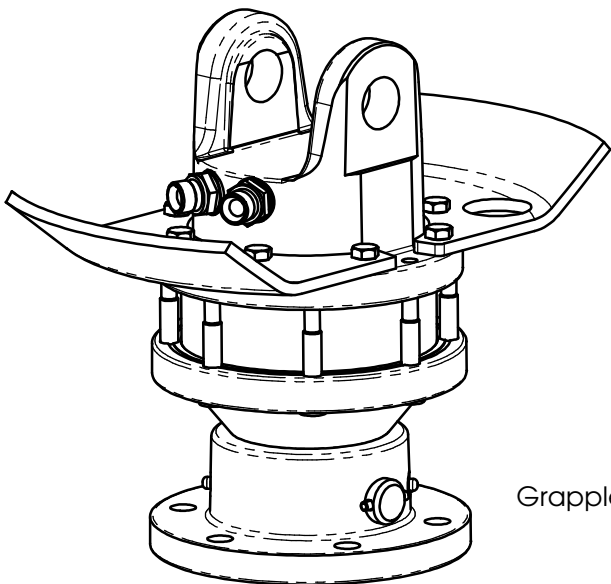
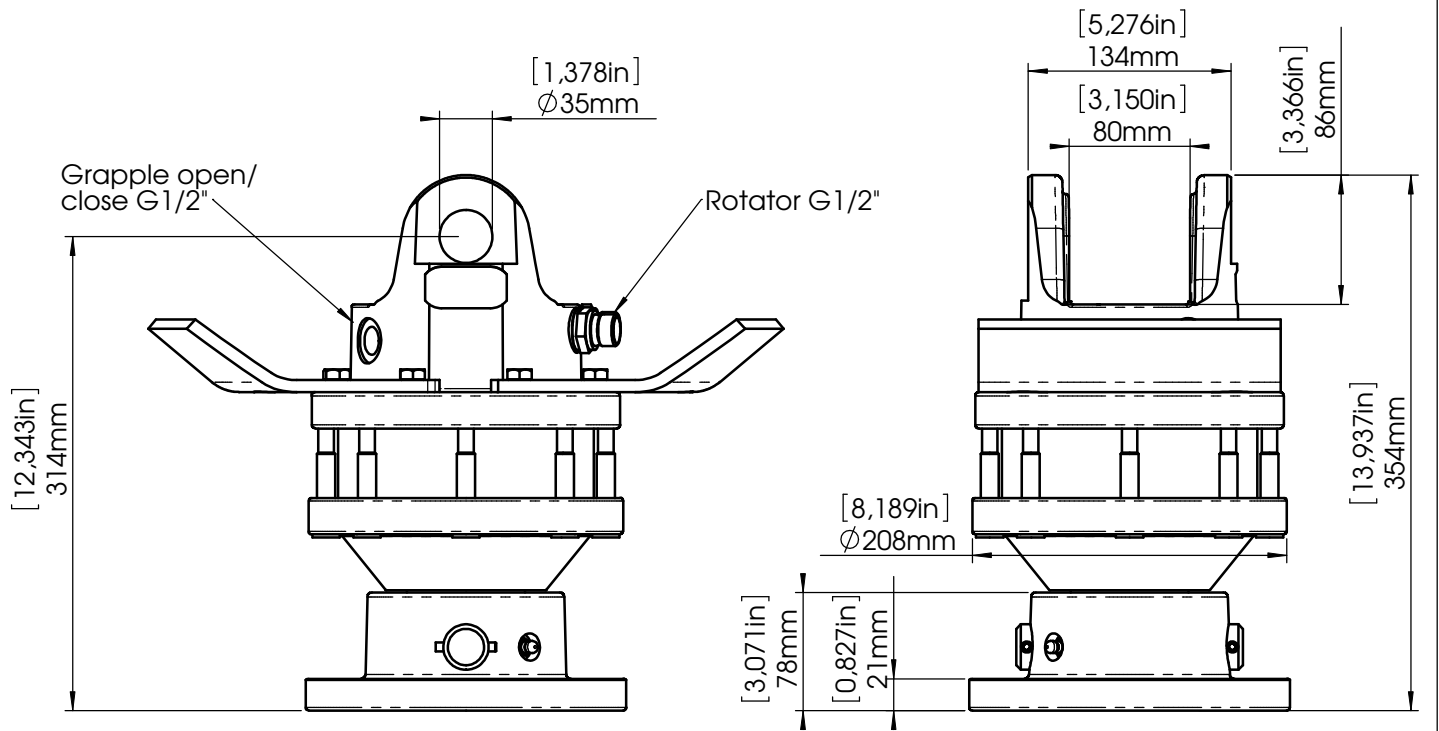
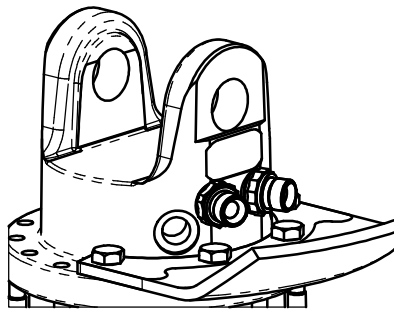


Rotator FR 21 B173

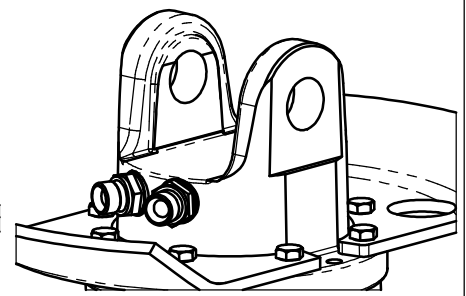


FR 21 B173	
Rotation angle	Unlimited
Max. working pressure	200 bar
Displacement	543 cm ³
Torque (200 bar)	1350 Nm
Max. axial force	100 kN
Safe working load	7500 kg
Weight	45 kg

Direction W



Direction X



Basic models				
Item	Name	Direction	D1	Flange
12102	FR 21-X35B173	X	35	B173
12104	FR 21-W35B173	W	35	B173