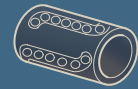
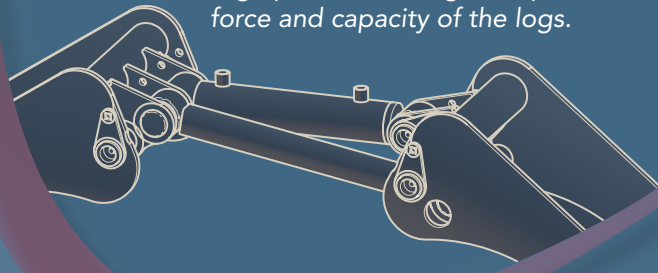
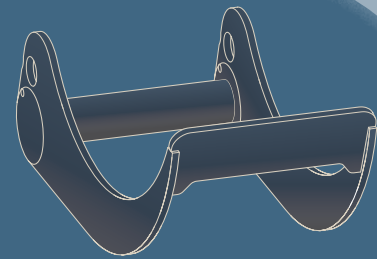


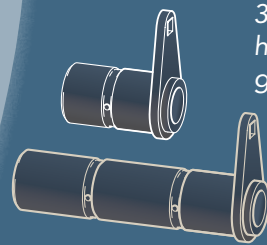
High precision linkage to optimize force and capacity of the logs.



Self-lubricating bronze bearings with internal alveolus for equal lubrication.



Blade built in anti-yield Weldom700 steel to guarantee the highest load capacity at the lightest equipment weight.

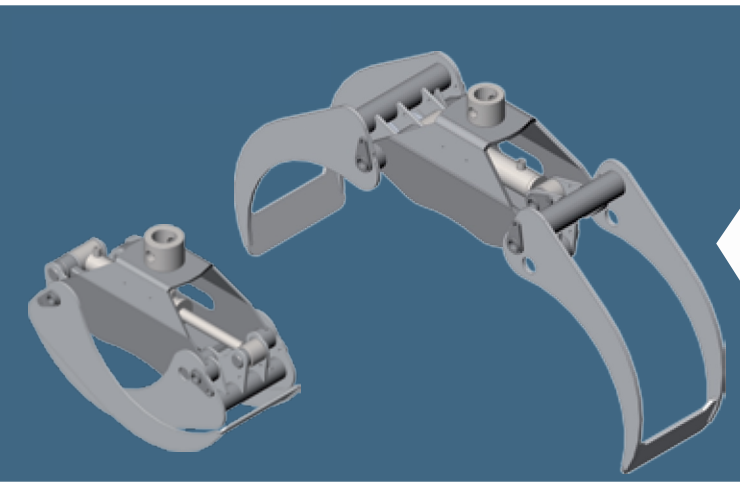


38 Ni Cr Mo 4 pins with hole to contain the lube grease and greaser protected within.



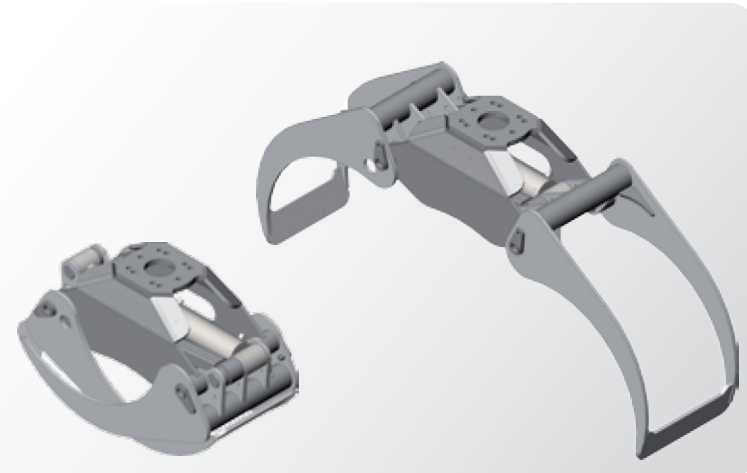
LOG GRABS EN



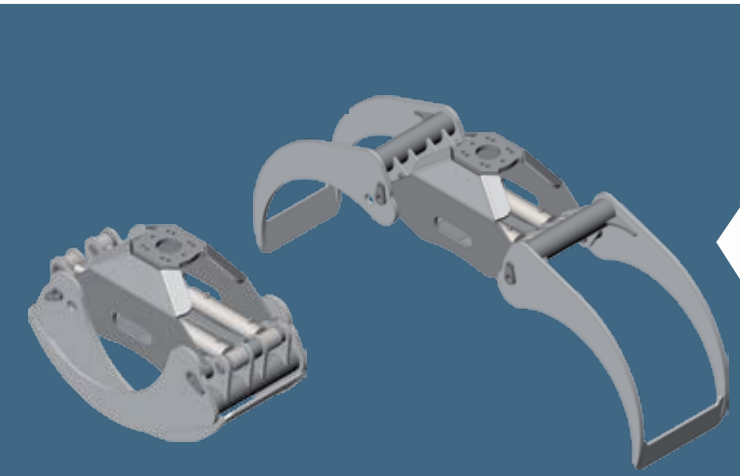


**LOG GRAB WITH HORIZONTAL CYLINDER LIGHT SERIES**

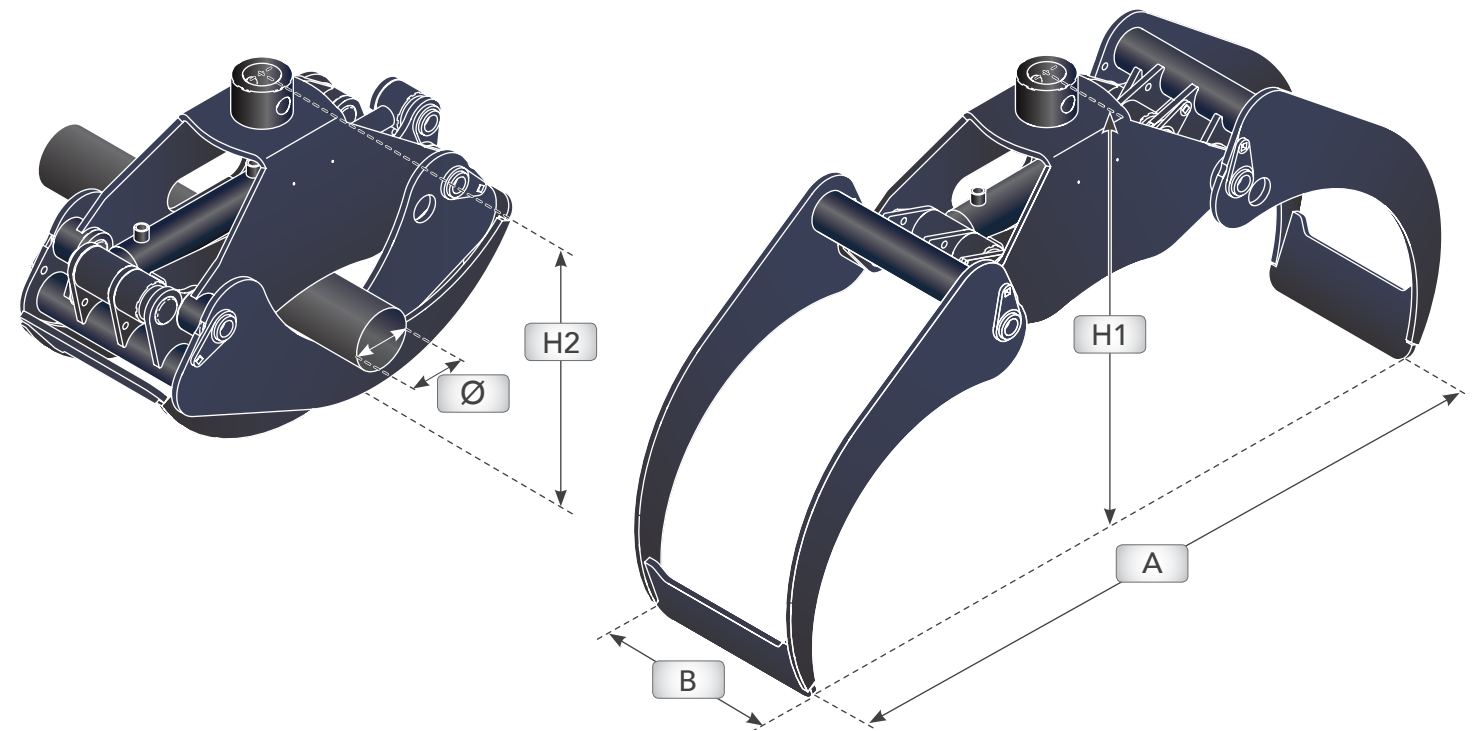
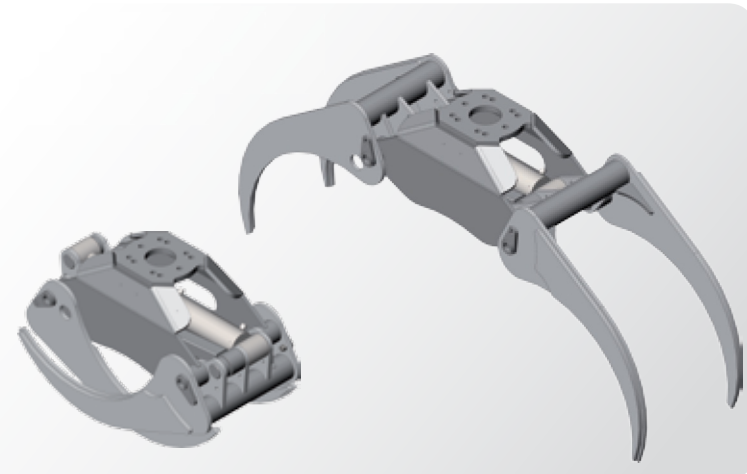
Log grab specially designed for a heavy agricultural use; the main features of this log grab are the reduced weight and high loading capacity. Cylinders are optimized to work with low pressure without penalizing load capacity.



**LOG GRAB WITH HORIZONTAL CYLINDER**  
Created for a professional use and arranged to mount flanged rotators which can guarantee strength and long duration.



**LOG GRAB WITH DOUBLE HORIZONTAL CYLINDER**  
Log grab ideal for a professional heavy use with double thrust cylinders to get the thrust homogeneous. 20 mm blade thickness made of Weldom 700 to further increase the resistance and load capacity.



**TECHNICAL DATA**

MODEL	WEIGHT	CAPACITY	PRESSURE	A mm	B mm	H1 mm	H2 mm	Ø min mm	Ø max mm
LG-022	105 Kg	2000 Kg	220 bar	1305	368	790	515	80	850
LG-024	145 Kg	2000 Kg	220 bar	1275	390	815	525	80	800
LG-036	235 Kg	2500 Kg	220 bar	1620	440	806	605	115	1000
LG-036H	267 Kg	3000 Kg	220 bar	1620	440	806	605	90	1000
LG-045	365 Kg	4000 Kg	220 bar	1950	520	1000	760	160	1300