

POMPE AD INGRANAGGI 4 FORI-ISO 1° POMPA

CODICE FAMIGLIA
FAMILY CODE

105-022

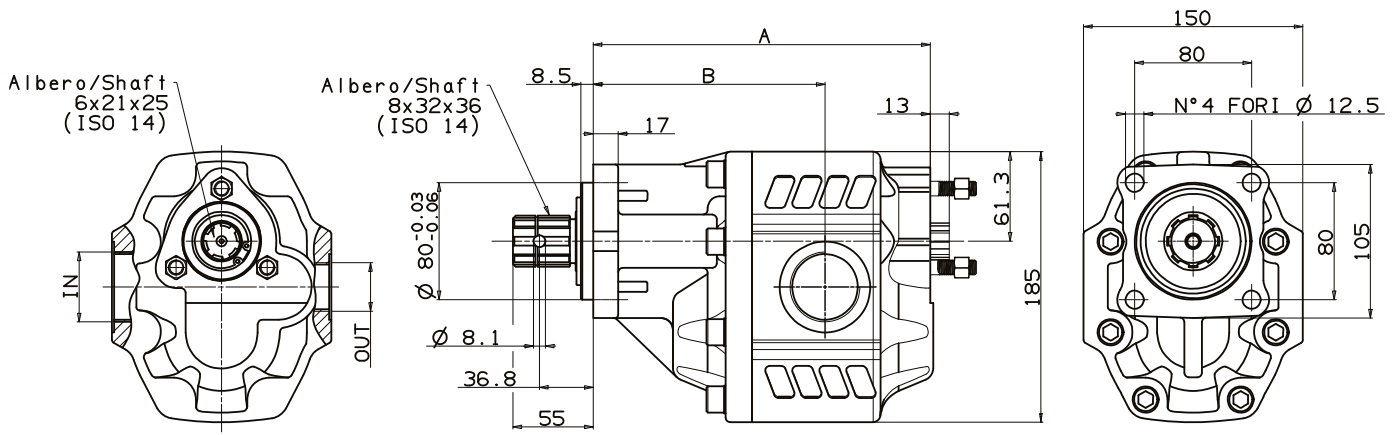
4 HOLES-ISO HYDRAULIC GEAR PUMPS

TANDEM NPGH ISO



Fluido idraulico Fluid	Minerale o sintetico compatibile con guarnizioni: Mineral or synthetic compatible with the following seals: NBR, FKM, FPM, Nylon				
Viscosità cinematica consigliata Kinematic viscosity suggested	T media ambiente (°C) Average ambient temp. (°C)	< -10	-10 ÷ 10	10 ÷ 35	> 35
	VG (cSt = mm ² /s)	22	32	46	68
Viscosità cinematica ottimale di esercizio Optimale kinematic viscosity		VG = 10 cSt ÷ 100 cSt			
Viscosità cinematica max consentita all'avviamento Max kinematic viscosity suggested at the start-up		VG = 750 cSt			
Indice di viscosità consigliato Viscosity index suggested	VI > 100	Temperatura di esercizio Working temperature -15°C +100°C			
Grado di filtrazione Oil filtering		> 200 bar: 10 µm < 200 bar: 25 µm			
Pressione di aspirazione Inlet pressure		-0,3 ÷ 2 bar			
Senso di rotazione Pump rotation		Unidirezionale (DX o SX) Unidirectional (Right or Left)			

Codice fascicolo: 997-400-10510



Data: Lunedì 28 maggio 2012

Tipo pompa Pump type	Rotazione Rotation		IN	OUT	A	B	Peso Weight
	Destra Right	Sinistra Left					
NPGH-63	105-022-10634	105-022-10643	ISO 228	ISO 228	mm	mm	Kg
NPGH-73	105-022-10732	105-022-10741	G 1	G 3/4	199.5	136.5	20.1
NPGH-84	105-022-10849	105-022-10858			203.5	140.5	20.7
NPGH-100	105-022-11008	105-022-11017	G 1 1/4	G 1	207.5	141	20.9
NPGH-116	105-022-11160	105-022-11179			213.5	144.5	21.5
NPGH-133	105-022-11339	105-022-11348	G 1 1/2	G 1	219.5	150.5	22
NPGH-150	105-022-11508	105-022-11517			225.5	153.5	22.8
					230.5	158.8	24.1

Rev: A1

Codice foglio: 997-105-02205

PREDISPOSTA PER 2^A POMPA CON FLANGIA UNI
READY FOR 2ND PUMP WITH UNI FLANGE



pag.97

O.M.F.B. S.p.A. Hydraulic Components

We reserve the right to make any changes without notice.

Edition 2003.03 No reproduction, however partial, is permitted.

Via Cave, 7/9 25050 Provaglio d'Iseo (Brescia) Italy Tel.: +39.030.9830611
Fax: +39.030.9839207-208 Internet: www.omfb.it e-mail: info@omfb.it

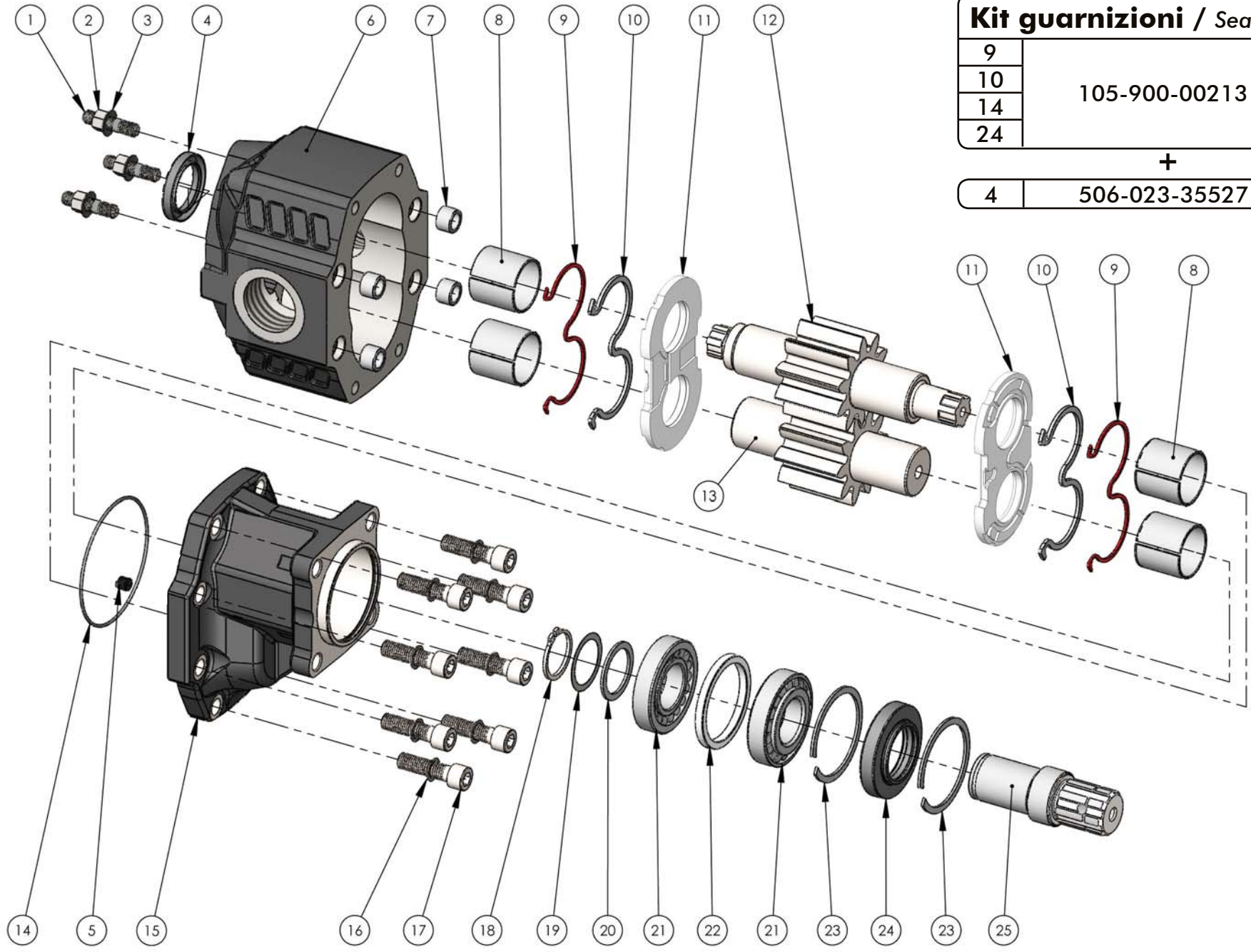
**COMPANY WITH
QUALITY SYSTEM
CERTIFIED BY DNV GL
= ISO/TS 16949 =**

Kit guarnizioni / Seal Kit

9	105-900-00213
10	
14	
24	

+

4	506-023-35527
---	---------------



pag. 98

COMPANY WITH
QUALITY SYSTEM
CERTIFIED BY DNV GL
= ISO/TS 16949 =

O.M.F.B. S.p.A. Hydraulic Components
We reserve the right to make any changes without notice.
Edition 2003.03 No reproduction, however partial, is permitted.
Via Cove, 7/9 25050 Premeola d'Isco (Brescia) Italy Tel.: +39 030 9830611
Fax: +39 030 9839207-208 Internet: www.omfb.it e-mail: info@omfb.it





O.M.F.B. S.p.A. Hydraulic Components
 We reserve the right to make any changes without notice.
 Edition 2003.03 No reproduction, however partial, is permitted.
 Via Cove, 7/9 25050 Pomogallo d'Isco (Brescia) Italy Tel.: +39 030 9830611
 Fax: +39 030 9839207-208 Internet: www.omfb.it e-mail: info@omfb.it

pag. 99

COMPANY WITH
 QUALITY SYSTEM
 CERTIFIED BY DNV GL
 = ISO/TS 16949 =

N°	63	73	84	100	116	133	150	Codice/Code	Descrizione / Description		Q.tà/Q.ty
1	•	•	•	•	•	•	•	503-004-00198	Dado M10 CH14 H10	Nut M10 CH14 H10	3
2	•	•	•	•	•	•	•	505-004-00014	Rondella elastica	Washer	3
3	•	•	•	•	•	•	•	501-018-00105	Prigioniero M10x30	Stud bolt M10x30	3
4	•	•	•	•	•	•	•	506-023-35527	Guarnizione paraolio	Oil seal	1
5	•	•	•	•	•	•	•	504-010-00063	Grano conico 1/8"	Plug 1/8"	1
6	•							517-020-00635 Dx/Right	Corpo pompa	Gear housing	1
	•							517-020-10633 Sx/Left			
		•						517-020-00724 Dx/Right			
		•						517-020-10722 Sx/Left			
			•					517-020-00840 Dx/Right			
			•					517-020-10848 Sx/Left			
				•				517-020-01009 Dx/Right			
				•				517-020-11007 Sx/Left			
					•			517-020-01161 Dx/Right			
					•			517-020-11169 Sx/Left			
					•			517-020-01321 Dx/Right			
					•			517-020-11329 Sx/Left			
						•		517-020-01509 Dx/Right			
						•		517-020-11507 Sx/Left			
7	•	•	•	•	•	•	•	501-003-00291	Spine forate di centraggio 18x12.5	Pins 18x12.5	4
8	•	•	•	•	•	•	•	533-004-00088	Boccole autolub. 38x42x38	Bushing 38x42x38	4
9	•	•	•	•	•	•	•	506-000-01195	Guarnizione antiestrusione	Back-up ring	2
10	•	•	•	•	•	•	•	506-000-01186	Guarnizione per rasamento	Thrust plate seal	2
11	•	•	•	•	•	•	•	510-010-00328	Rasamento ad occhiale	Thrust plate	2
12	•							523-022-00630	Albero dentato conduttore	Drive shaft	1
		•						523-022-00729			
			•					523-022-00845			
				•				523-022-01004			
					•			523-022-01166			
						•		523-022-01326			
13	•							523-022-01504	Albero dentato condotto	Driven shaft	1
		•						523-020-00632			
			•					523-020-00721			
				•				523-020-00847			
					•			523-020-01006			
						•		523-020-01168			
						•	523-020-01328				
						•	523-020-01506				
14	•	•	•	•	•	•	•	506-000-01337	Guarnizione OR	O-Ring	1
15	•	•	•	•	•	•	•	518-003-00161	Coperchio anteriore	Mounting cover	1
16	•	•	•	•	•	•	•	501-020-00129	Rondella elastica	Washer	8
17	•	•	•	•	•	•	•	502-005-00573	Vite TCE M12x45	Screw M12x45	8
18	•	•	•	•	•	•	•	501-000-01355	Anello seeger	Seeger ring	1
19	•	•	•	•	•	•	•	529-007-00226	Rondella speciale 45x30x0,2	Special washer 45x30x0,2	1
20	•	•	•	•	•	•	•	529-007-00208	Rondella speciale 45x35x2	Special washer 45x35x2	1
21	•	•	•	•	•	•	•	510-002-00211	Cuscinetto rulli conici 35x72x18,25	Tapered roller bearing 35x72x18,25	2
22	•	•	•	•	•	•	•	530-001-00783	Distanziale 60x72x6,75	Spacer 60x72x6,75	1
23	•	•	•	•	•	•	•	501-000-02729	Anello elastico	Circlip	2
24	•	•	•	•	•	•	•	506-008-42723	Guarnizione paraolio	Oil seal	1
25	•	•	•	•	•	•	•	114-005-00147	Manicotto	Coupling	1

CARATTERISTICHE TECNICHE DI FUNZIONAMENTO - TECHNICAL FEATURES

Tipo pompa Pump type	Cilindrata Displacement cm ³ /rev	Pressione Pressure			Velocità max. continua Max. continuous speed rpm	Velocità max. intermittente Max. intermittent speed rpm	Velocità min. Min. speed rpm
		P1 bar	P2 bar	P3 bar			
NPGH-63	63.70	290	315	325	1800	2700	300
NPGH-73	74.87	280	300	315			
NPGH-84	85.96	260	280	290			
NPGH-100	102.60	250	270	280			
NPGH-116	119.24	240	260	270	1500	2500	
NPGH-133	135.88	220	250	260			
NPGH-150	149.75	180	210	220			

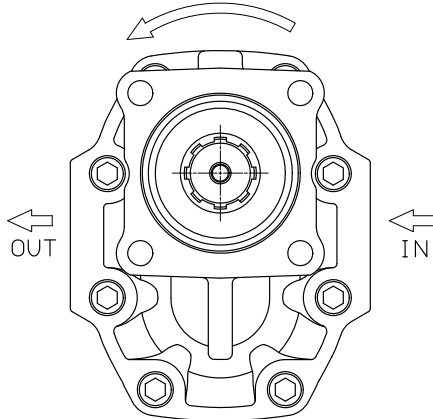
P1=Pressione max.continua
P2=Pressione max. intermittente
P3=Pressione max. di punta

Max. continuous pressure
Max. Intermittent pressure
Max. peak pressure

(100%)
(20 sec.max.)
(6 sec.max.)

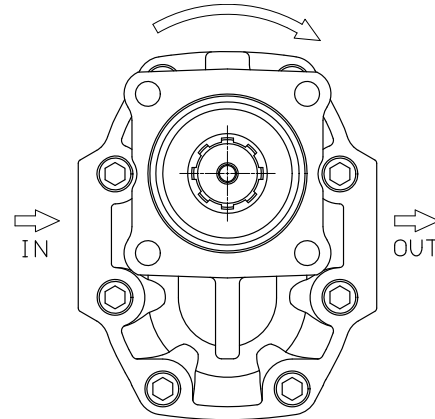
SENSO DI ROTAZIONE POMPA - DIRECTION OF ROTATION

Rotazione antioraria, pompa sinistra
Anti-clockwise rotation, left pump

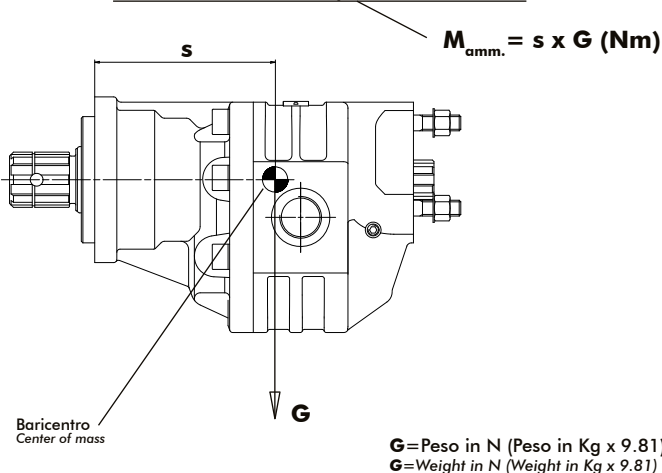


Vista FRONTALE
FRONT

Rotazione oraria, pompa destra
Clockwise rotation, right pump



Vista FRONTALE
FRONT

MOMENTO PESO / MASS MOMENT

Tipo pompa - Pump type	S
NPGH-63	111
NPGH-73	114
NPGH-84	117
NPGH-100	121
NPGH-116	124
NPGH-133	128
NPGH-150	132

LA POMPA E' MUNITA DI PARAOLIO BIDIREZIONALE E DI CUSCINETTI A RULLI CONICI SULL'ALBERO DI USCITA
THE PUMP IS COMPLETE WITH DOUBLE OIL-SEAL AND TAPERED ROLLER BEARING ON THE OUTPUT SHAFT