



SJ SERIES HYDRAULIC SWIVEL JOINTS

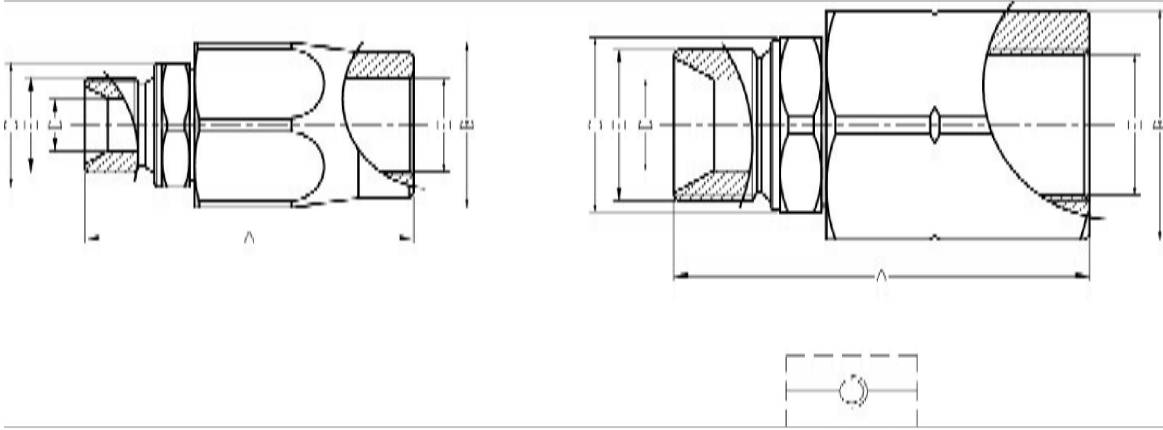
SJ Series Hydraulic Swivel Joints are mounted between the end of a moving hose and a fixed component to prevent hose's damaging by compensating its torsion and twisting.

SJ Series Hydraulic Swivel Joints are not suitable for fast and permanent rotations. They are suitable for slow rotations and high pressure applications.

Bodies of SJ Series Hydraulic Swivel Joints are hardened by heat treatment.

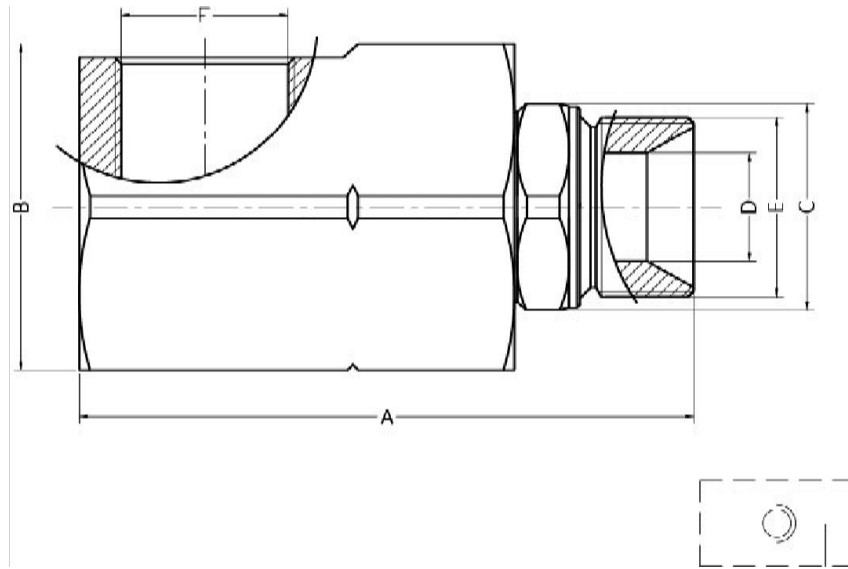
Material	Carbon Steel
Thread Size	BSP (Upon Request: NPT, Metric)
Sealing	Nitrile O-ring (NBR)
Working Temperature	-30 °C and +110 °C
Plating	Zinc Plating (Cr III Passivation)
Head Treatment	Through Hardening
Upon Request	VITON & High temperature resistant special spring (-30 °C & +225 °C)
Applications	Construction, production, mobile hydraulic, general industries





Technical Specifications

Kod (Code)	Vida Ölçüsü (Thread Size) E	Çalışma Basıncı (Working Pressure) Bar	Ölçüler - mm (Dimensions) - mm			
			A	B	C	D
SJIG14N	1/4" BSP	450 Bar	61,50	30	19	6
SJIG38N	3/8" BSP	430 Bar	67	32	24	8,50
SJIG12N	1/2" BSP	400 Bar	72	36	27	11,50
SJIG34N	3/4" BSP	380 Bar	81	46	36	15
SJIG1N	1" BSP	340 Bar	91	50	38	19,50



Technical Specifications

Kod (Code)	Vida Ölçüsü (Thread Size) E	Çalışma Basıncı (Working Pressure) Bar	Ölçüler - mm (Dimensions) - mm			
			A	B	C	D
SJ90G14N	1/4" BSP	450 Bar	69	32	19	6
SJ90G38N	3/8" BSP	430 Bar	77	36	24	8,50
SJ90G12N	1/2" BSP	400 Bar	87,50	41	27	11,50
SJ90G34N	3/4" BSP	380 Bar	101	55	36	15
SJ90G1N	1" BSP	340 Bar	113	60	38	19,50