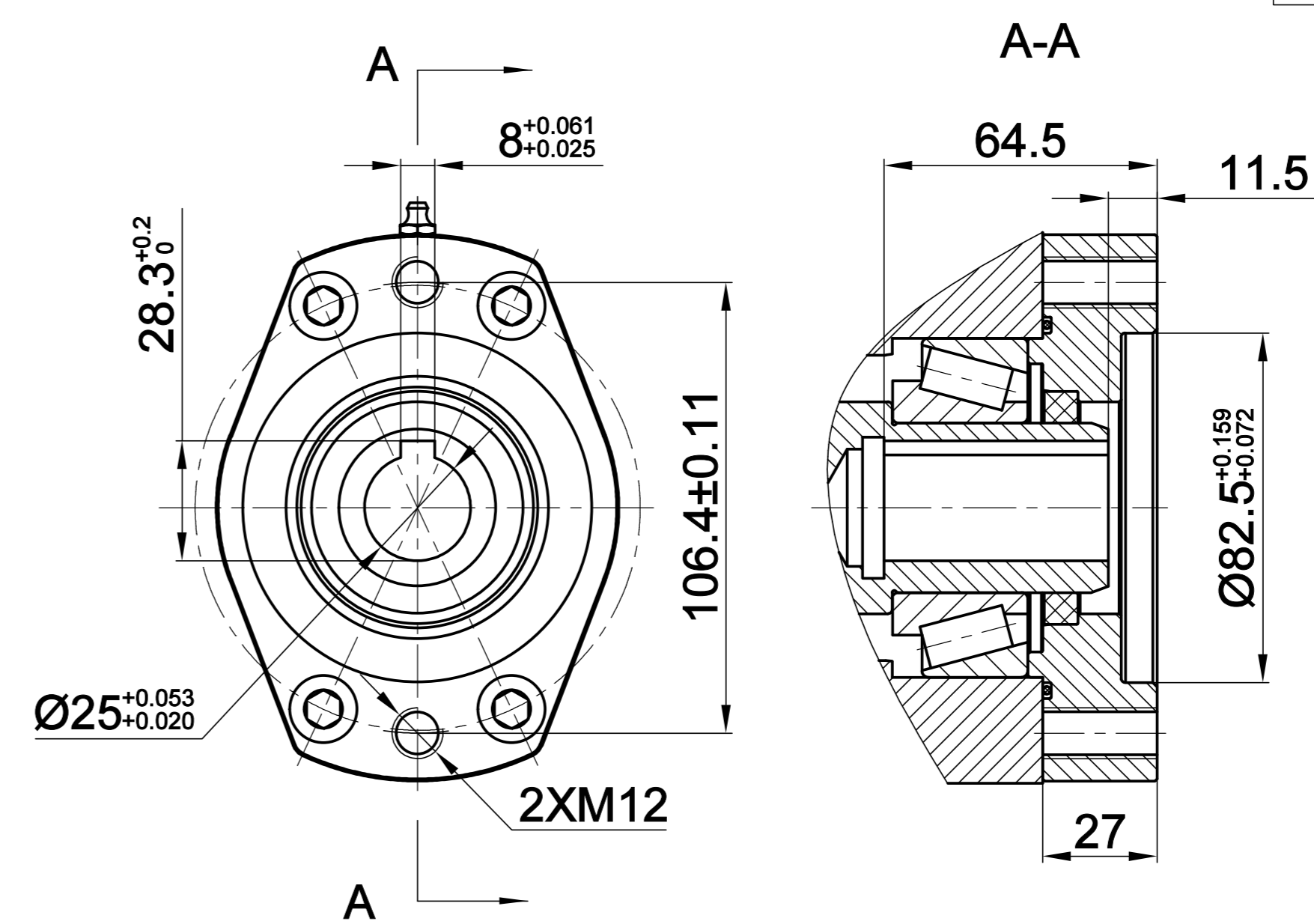
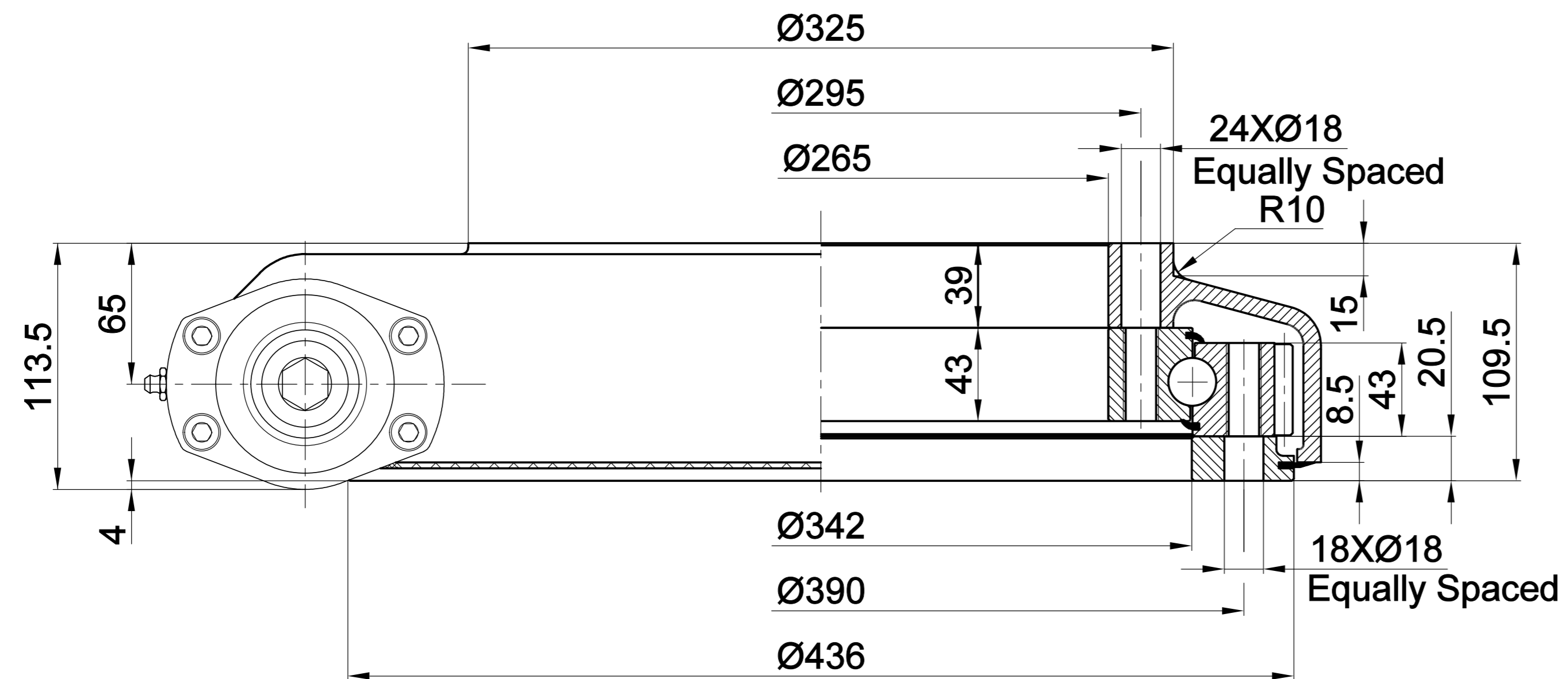
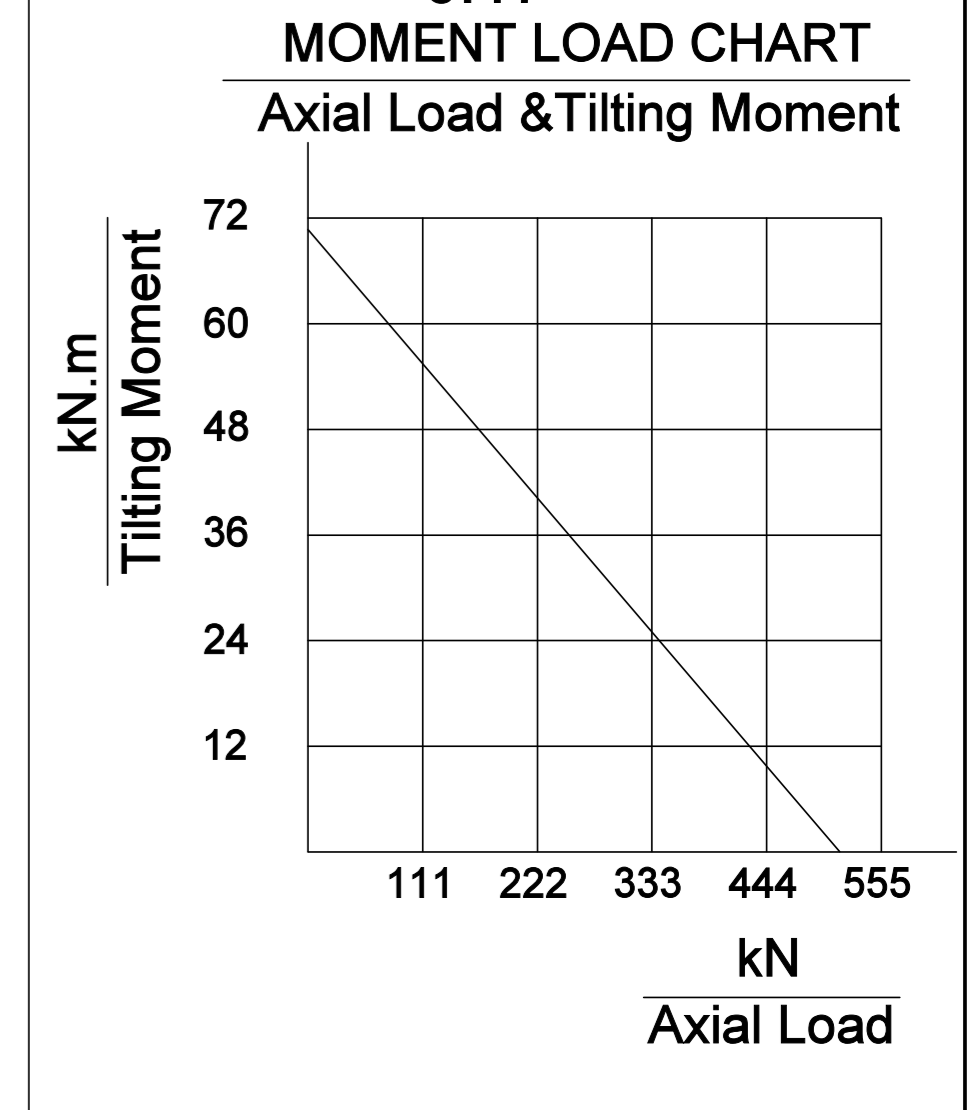


Slewing Drive Performance Parameters		
Rated Output Speed	<2.5rpm	
Output Torque	8 kN.m	5900 lbf.ft
Tilting Moment	67.8 kN.m	50X10 <sup>3</sup> lbf.ft
Holding Torque	48 kN.m	35X10 <sup>3</sup> lbf.ft
Static Axial Load Rating	555 kN	125X10 <sup>3</sup> lbf
Static Radial Load Rating	222 kN	50X10 <sup>3</sup> lbf
Gear Ratio	85:1	
Precision	≤ 0.17°	



REV.	Date	Reviser	Description		
Designed By	2016.1.12	HXL			
Checked By	2016.1.12	CQN			
Approved By	2016.1.12	HW			
The information contained in the document is property of SunSlew. SunSlew reserve changes of manufacture without previous advice and duty of communication. It is not allowable any copy or reproduction of this certificated copy with the original not under control.			WEIGHT	SCALE	<b>Slewing Drive</b>
			64kg	1:4	
			SYMBOLE ISO		SIZE SHEET